



Science.
Applied to Life.™



Reduce A320 Series Radome Repairs

with 3M™ Polyurethane Protective Boots

- Prevent expensive composite repairs
- Minimize the need to ship spare replacement radomes
- Reduce down time and extend service life
- Help maintain paint quality and appearance

Product Benefits

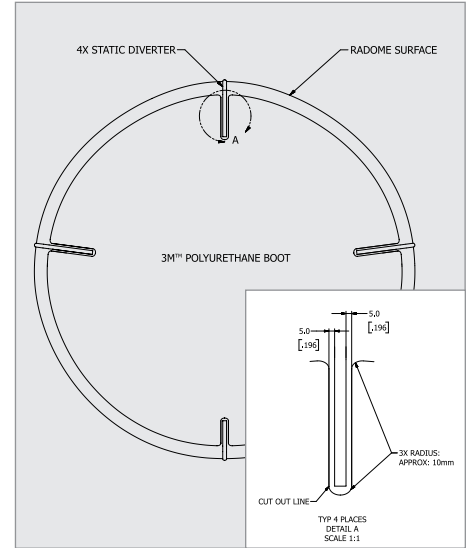
- Designed and approved exclusively for Airbus A320
- Made with 3M proprietary polyurethane film approved by major OEMs
- Highly resistant to rain and sand erosion, and impacts caused by FOD
- Compatible with radomes that have either external or internal static diverters
- Easy to install and replace



Close up view of damaged radome flow without protective boot installed.



Protective boot installation on radome with internal static diverters.



Boots applied to radomes with external static diverters will have to be modified prior to installation.

Specification information

Qualified to Airbus specification IPSABS5957-01, Airbus AMM task number 53-15-11-400-007-A. Always validate references against current technical data.

Product	Item Number	Quantity
3M™ Polyurethane Protective Boot SJ8665 FP110-2	7100165848	1/tube
3M™ Protective Tape Application Solution PA1 (applicator included)	7100069168	1 quart/case
3M™ Hand Applicator PA1-G	74190191689	25/carton

Authorization to Use

Ensure products meet all applicable specifications, standards, and maintenance manual requirements for the platform being worked on and validate all aircraft approvals against current technical documentation.

Warranty and Limited Remedy: 3M warrants that each 3M product meets the applicable 3M product specification at the time 3M ships the product. 3M MAKES NO OTHER EXPRESS OR IMPLIED WARRANTIES OR CONDITIONS, INCLUDING ANY IMPLIED WARRANTY OR CONDITION OF MERCHANTABILITY OR FITNESS FOR A PARTICULAR PURPOSE. If a 3M product does not conform to this warranty, the sole and exclusive remedy is, at 3M's option, replacement of the 3M product or refund of the purchase price. **Limitation of Liability:** Except for the limited remedy above, and except to the extent prohibited by law, 3M will not be liable for any loss or damage arising from or related to the 3M product, whether direct, indirect, special, incidental, or consequential, regardless of the legal or equitable theory asserted.



3M Automotive and Aerospace Solutions Division

3M Center
St. Paul, MN 55144 USA
1-800-328-1684
3M.com/aerospace

Please recycle.
© 3M 2019. All rights reserved.
3M is a trademark of 3M Company.